

Times

design by Thomas King



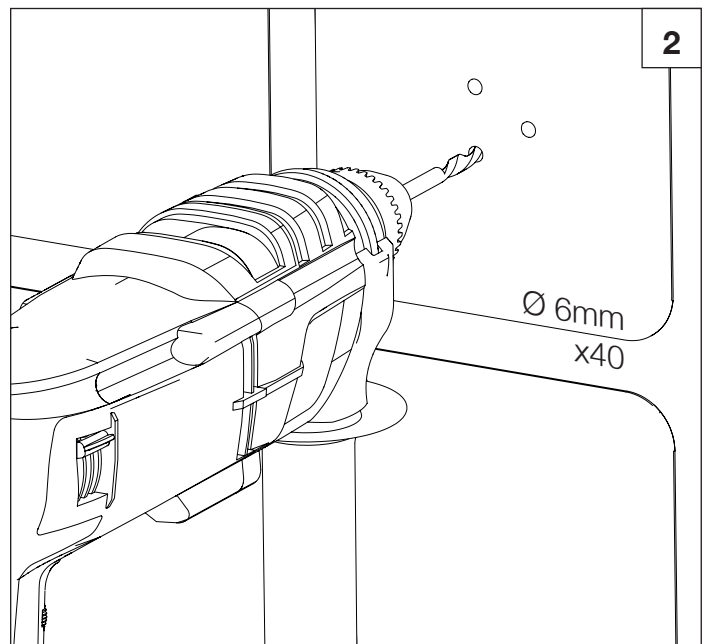
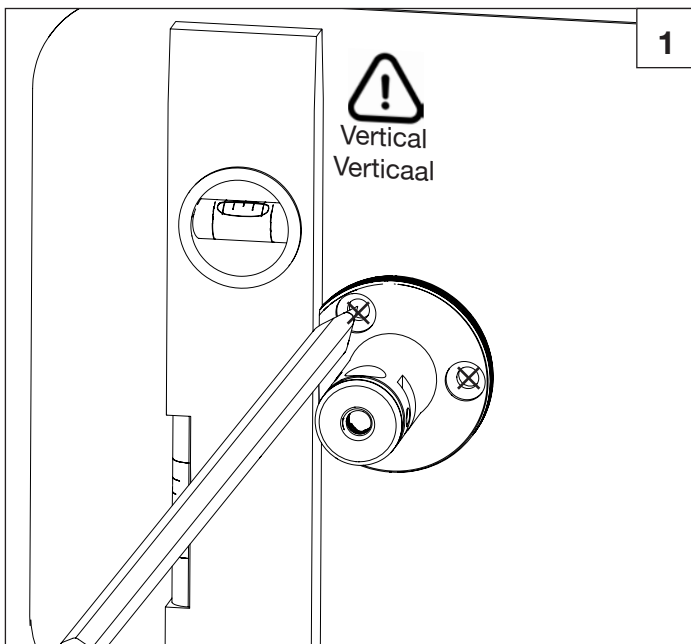
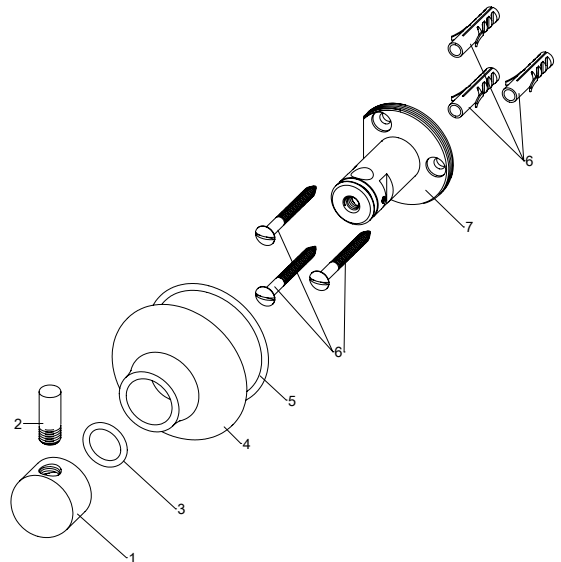
Innovation since 1935

6273.--.53

Porte-peignoir

Kapstok

Dressing gown holder



RA0.V01

